

NEDPACK®

Nobelstraat 43
3846 CE Harderwijk
The Netherlands

Phone: +31 341 - 436700
Fax: +31 341 - 436701
www.nedpack.com
info@nedpack.com

Ordernumber:	ORDERNUMMER	Customer:	NEDPACK
Project description:	Prorunner Mk1	City:	HARDERWIJK
Customer attribute:	Tekening nummer / lijn nummer	Country:	The Netherlands
Serial number:	Serienummer		

Special feature:	-
Power supply:	3~400V - 50Hz NPE
Control voltage:	24VDC
According to:	NEN-EN-IEC 60204-1: 2006

Project start:	21-2-2012
Project end:	
Last time edited:	4-4-2012
Number of pages:	28

Table of contents

Page	Page description	Supplementary page field	Date	Revision date	Edited by
1	Title page / cover sheet		4-4-2012	4-4-2012	DSP
2	Table of contents		4-4-2012	4-4-2012	DSP
15.1	Layout Prorunner Mk1		9-6-2011	24-3-2012	DSP
15.2	Layout safety Prorunner Mk1		9-6-2011	24-3-2012	DSP
100	Transporter insite Prorunner Mk1		9-6-2011	24-3-2012	DSP
105	Prorunner Mk1 engine		9-6-2011	24-3-2012	DSP
501	Field components		9-6-2011	24-3-2012	DSP
1200	Clamping strips + color overview		9-6-2011	24-3-2012	DSP
1250	Layout text labels		9-6-2011	24-3-2012	DSP
1601	Layout KK1		9-6-2011	24-3-2012	DSP
1610	Layout KK10		9-6-2011	24-3-2012	DSP
2000	Parts list : SCH.AZ16-02ZVK-M16 - CEE.Resopal plaatje "KK1"		4-4-2012	4-4-2012	DSP
2001	Parts list : LAPP.1119 404 (4G2,5) - EGM.M16x1,5 HSK-M-EMV		4-4-2012	4-4-2012	DSP
2002	Parts list : LAPP.1119 205 (5G1,0) - MURR. Mosa M12 male haaks		4-4-2012	4-4-2012	DSP
2003	Parts list : FES.CPE18-M1H-5J-1/4 - FES.CPE18-M1H-5J-1/4		4-4-2012	4-4-2012	DSP
2100	Summarized parts list : NEDP.Aandrijving - NEDP.Aandrijving		4-4-2012	4-4-2012	DSP
2101	Summarized parts list : CEE.Resopal plaatje "KK1" - CEE.Resopal plaatje "KK10"		4-4-2012	4-4-2012	DSP
2102	Summarized parts list : FES.CPE18-M1H-5J-1/4 - FES.CPE18-M1H-5J-1/4		4-4-2012	4-4-2012	DSP
2103	Summarized parts list : EGM.M25x1,5 HSK-M-EMV - EGM.M16x1,5 HSK-M-EMV		4-4-2012	4-4-2012	DSP
2104	Summarized parts list : INT.EC310 - Inter.DC20		4-4-2012	4-4-2012	DSP
2105	Summarized parts list : LAPP.0026171 (FD810 4x2,5) - LAPP.0034503 (LIYCY 3x0,34)		4-4-2012	4-4-2012	DSP
2106	Summarized parts list : MOE.P1-25/I2/SVB-SW - MOE.P1-25/I2/SVB-SW		4-4-2012	4-4-2012	DSP
2107	Summarized parts list : MURR. M12 Plastic lock screw - MURR. Mosa M12 male haaks		4-4-2012	4-4-2012	DSP
2108	Summarized parts list : SCH.AZ16-02ZVK-M16 - SCH.AZ15/16-B1		4-4-2012	4-4-2012	DSP
2109	Summarized parts list : SICK.IME18-08BPSZC0K - SICK.MZT1-03VPS-KQD		4-4-2012	4-4-2012	DSP
2110	Summarized parts list : TEL.SA85012 - TEL.SA85008		4-4-2012	4-4-2012	DSP
2111	Summarized parts list : WEI.1608510000 (ZDU2.5) - WEI.1608640000 (ZPE 2.5)		4-4-2012	4-4-2012	DSP
2112	Summarized parts list : WIS.EMUG12 - WIS.ESKV16		4-4-2012	4-4-2012	DSP

LEGEND:


M1 =100M1 TRANSPORTER INSIDE PRORUNNER Mk1
 M2 =105M1 PRORUNNER Mk1

501B1 PRORUNNER MK1 STOP POSITION BELOW
 501B2 PRORUNNER MK1 LOW SPEED STOP POSITION BELOW
 501B3 PRORUNNER MK1 LOW SPEED STOP POSITION ABOVE
 501B4 PRORUNNER MK1 STOP POSITION ABOVE
 501B5 PRORUNNER MK51 PRODUKT INFEEED
 501B6 PRORUNNER MK1 SIGNALING STOPPER DOWN
 501Y7 PRORUNNER MK1 VALVE STOPPER DOWN
 501Y8 PRORUNNER MK1 VALVE STOPPER UP

501U1 CONNECTION UNIT

LEGEND:

S1 DOOR SWITCH GROUND FLOOR
 S2 DOOR SWITCH ABOVE

15.1  AZ16-02ZVK-M16
 AZ15/16-B1

100

NEDPACK®

Customer

NEDPACK
 HARDERWIJK
 The Netherlands

Type

Prorunner Mk1

Customer attribute

Tekening nummer / lijn nummer

Ordernumber

ORDERNUMMER

Serial number

Serienummer

Description

Layout safety Prorunner Mk1

Date

24-3-2012

Ed.

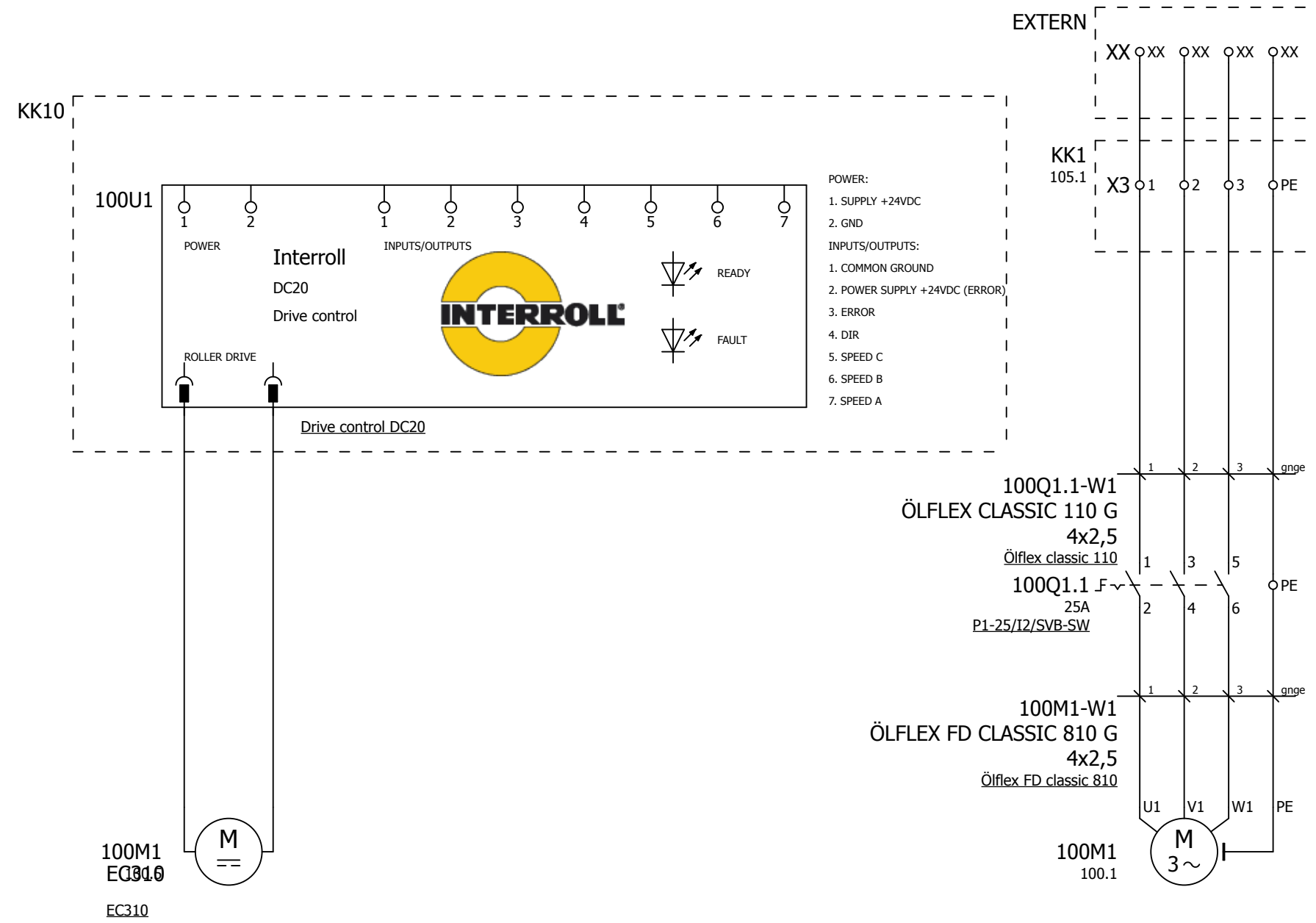
DSP

=

+

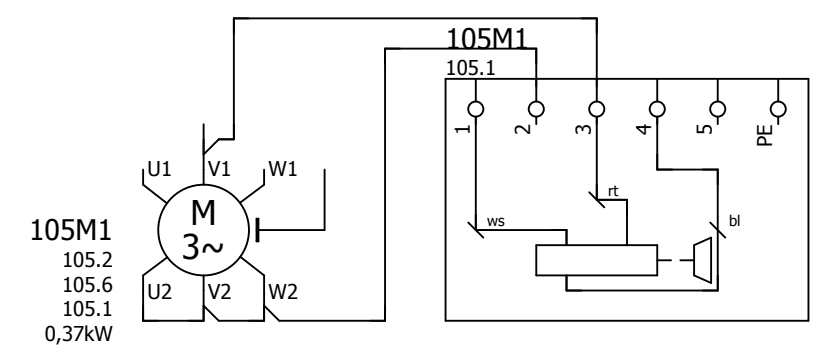
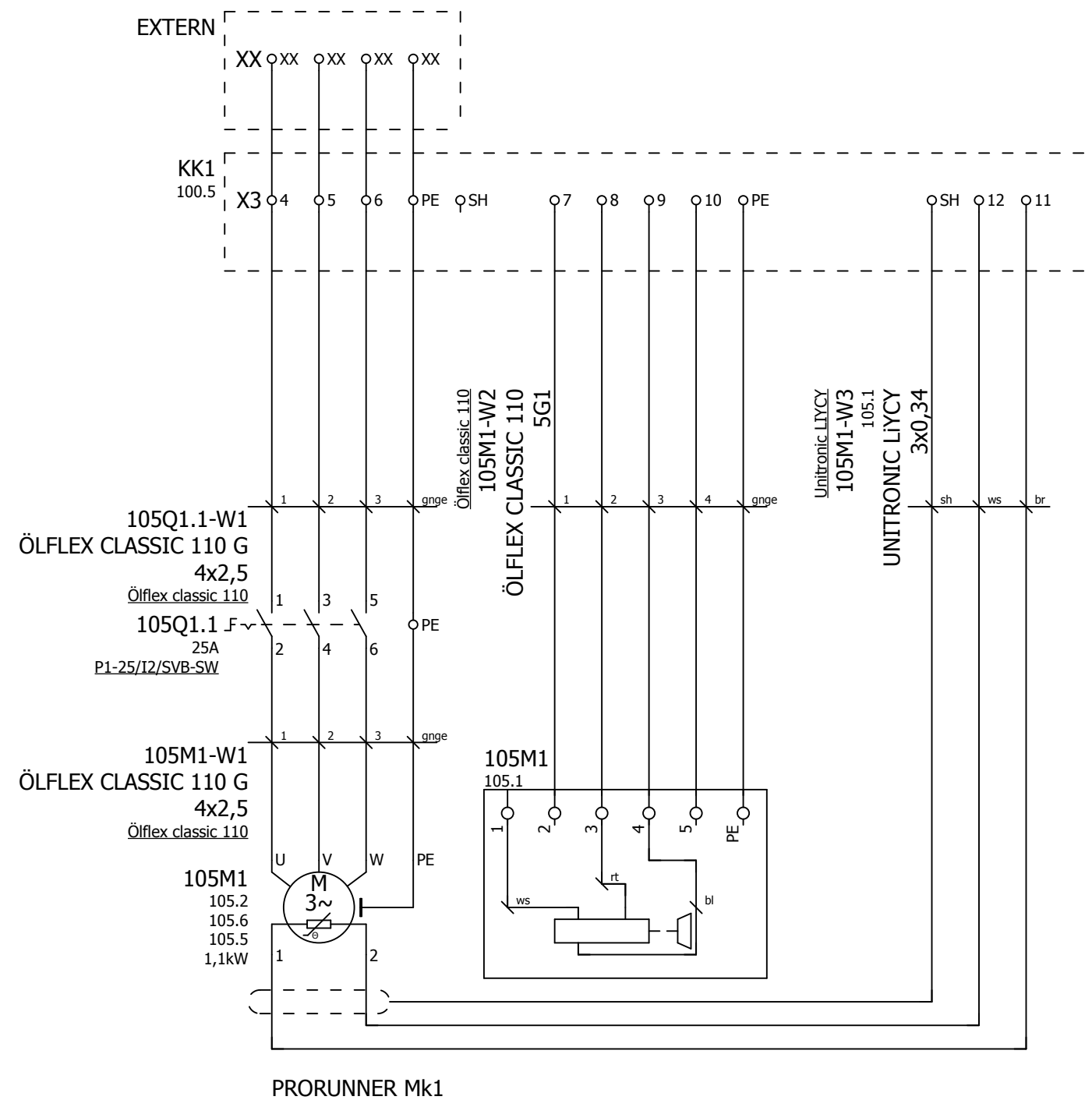
Page

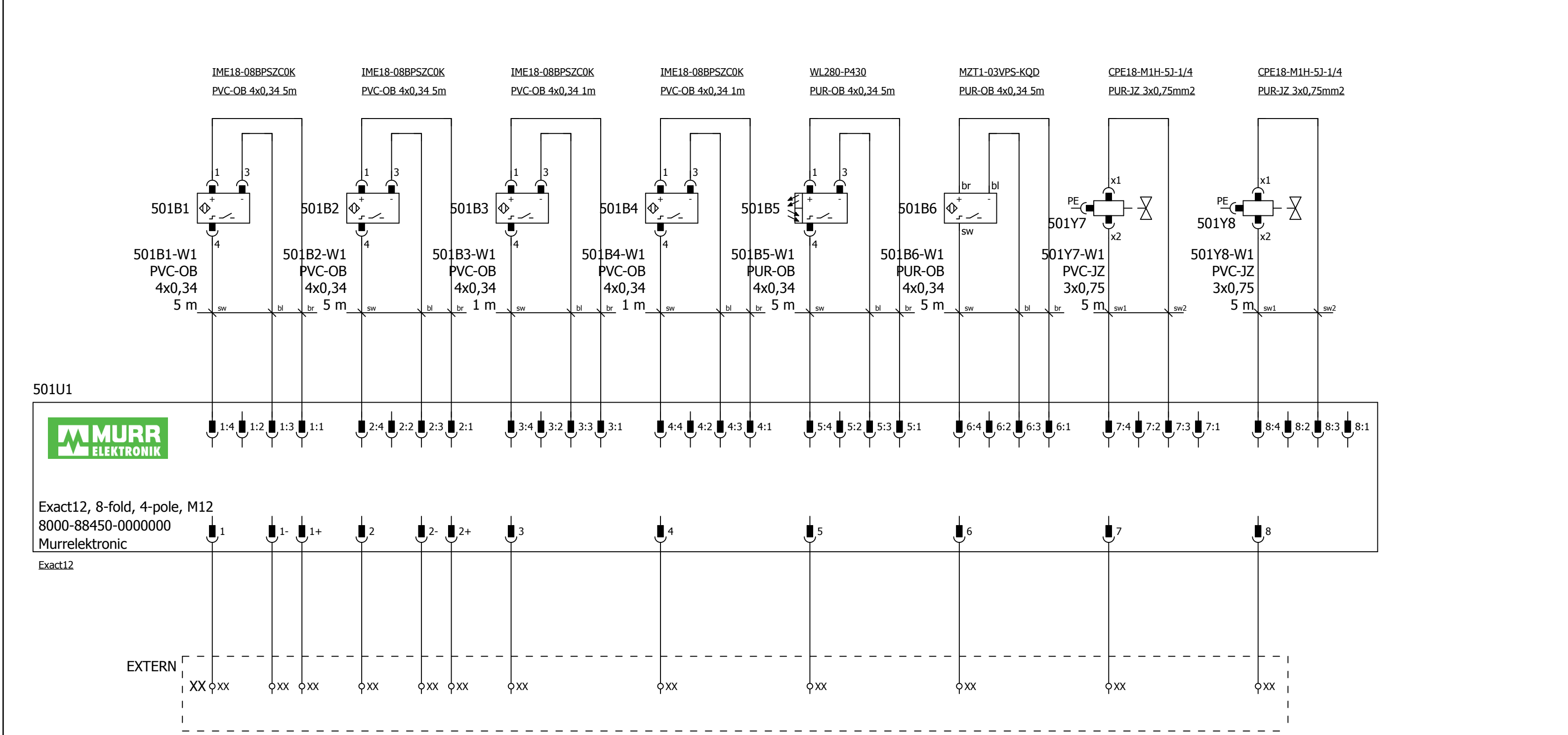
15.2



TRANSPORTER INSIDE PRORUNNER Mk1

TRANSPORTER INSIDE PRORUNNER Mk1





LET OP: kabel lengte van 501B3 en 501B4 afhankelijk van uitvoer hoogte

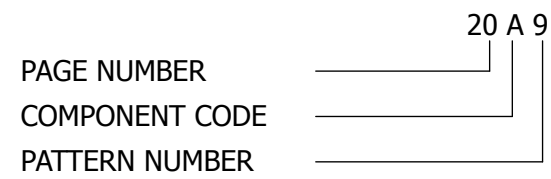
Plastic lock screw
Plastic lock screw: required to achieve IP67

SPARE	SPARE	SPARE	SPARE	SPARE	SPARE	SPARE	SPARE
PRORUNNER MK1 STOP POSITION BELOW	PRORUNNER MK1 LOW SPEED STOP POSITION BELOW	PRORUNNER MK1 LOW SPEED STOP POSITION ABOVE	PRORUNNER MK1 STOP POSITION ABOVE	PRORUNNER MK1 PRODUKT INFEEDED	PRORUNNER MK1 SIGNALING STOPPER DOWN	PRORUNNER MK1 VALVE STOPPER DOWN	PRORUNNER MK1 VALVE STOPPER UP

CABLE COLOR CODING ACCORDING DIN 47100

1	WHITE	WS
2	BROWN	BR
3	GREEN	GN
4	YELLOW	GE
5	GREY	GR
6	PINK	RS
7	BLUE	BU
8	RED	RT
9	BLACK	SW
10	VIOLET	VI
11	GREY/PINK	GRRS
12	RED/BLUE	RTBL
13	WHITE/GREEN	WSGN
14	BROWN/GREEN	BRGN
15	WHITE/YELLOW	WSGE
16	YELLOW/BROWN	GEBR
17	WHITE/GREY	WSGR
18	GREY/BROWN	GRBR
19	WHITE/PINK	WSRS
20	PINK/BROWN	RSBR

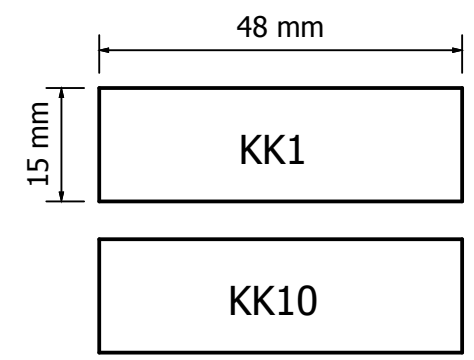
COMPONENT ENCODING



CORE END ACCORDING TO DIN STANDARDISATION

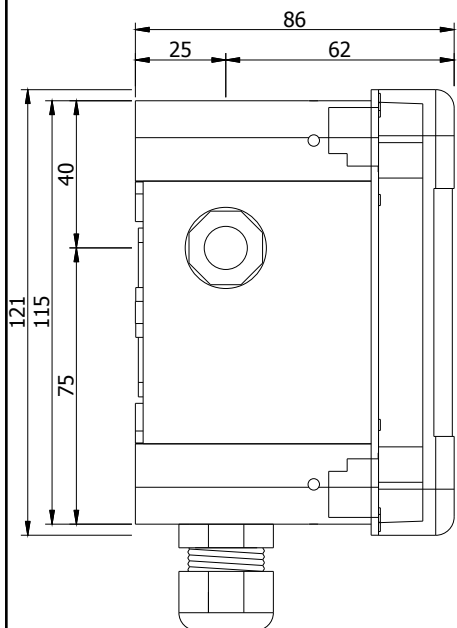
0,34mm ²	LIGHT BLUE
0,5mm ²	WHITE
0,75mm ²	GREY
1mm ²	RED
1,5mm ²	BLACK
2,5mm ²	BLUE
4mm ²	GREY
6mm ²	YELLOW
10mm ²	RED
16mm ²	BLUE

COLOR: WHITE, LETTER: BLACK

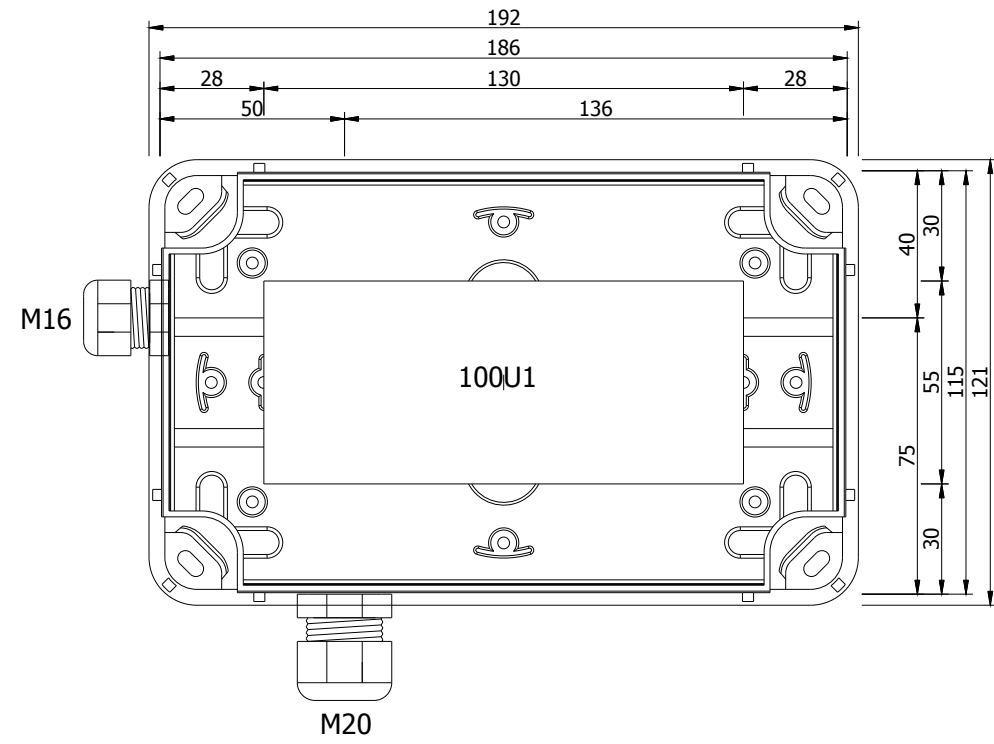


TEXT LABELS:
 MATERIAL: LAMINATED PLASTIC P.P.A.1,25mm THICK
 LETTER TYPE: 100-20% DIN 1451, HIGHT 4mm
 FASTENING: ADHESIVE

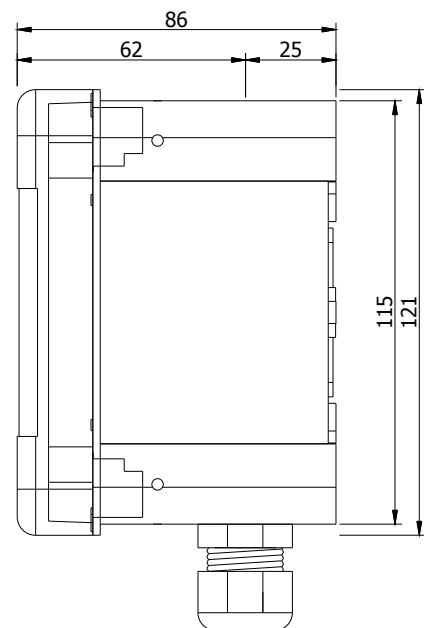
NEDPACK [®]	Customer NEDPACK HARDERWIJK The Netherlands	Type Prorunner Mk1	Ordernumber ORDERNUMMER	Description Layout text labels	Date 24-3-2012	=
		Customer attribute Tekening nummer / lijn nummer	Serial number Serienummer		Ed. DSP	+
					Page	1250



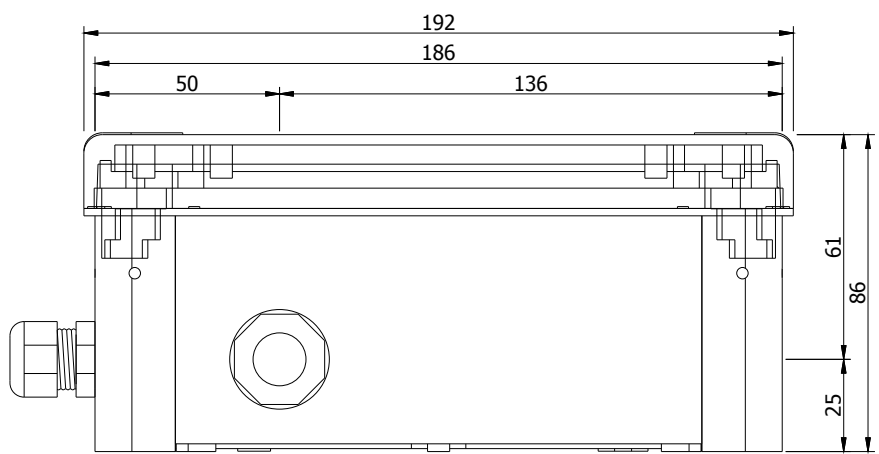
LEFT SIDE VIEW



FRONT VIEW



RIGHT SIDE VIEW



BOTTOM VIEW

Parts list

Device tag Placement	Quantity	Designation	Type number	Manufacturer Part number	Supplier
15.2.0	1	Safety switch 2x NC, IP67	AZ16-02ZVK-M16	Schmersal 1154699	Schmersal
15.2.0	1	Operation key for use with AZ16	AZ15/16-B1	Schmersal 1083036	Schmersal
KK10 100.0	1	Synthetic industrial box	SA85008	Télémecanique SA85008	Rexel
KK10 100.0	1	Nut M20*1,5	EMUG20	Wiska 60772	Rexel
KK10 100.0	1	Nut M16*1,5	EMUG16	Wiska 60771	Rexel
KK10 100.0	1	Gland M20*1.5, IP68	ESKV20	Wiska 66412	Rexel
KK10 100.0	1	Gland M16*1.5, IP68	ESKV16	Wiska 66411	Rexel
KK10 100.0	1	Text label 48x15mm, Label: white, Text: black, "KK10"	"KK10"	Ceelen	Ceelen
100U1 100.1	1	Drive control	DC20	Interroll	Interroll
100M1 100.1	1	DC motor	EC310	Interroll EC310	Interroll
KK1 100.5	1	Synthetic industrial box	SA85012	Télémecanique SA85012	Rexel
KK1 100.5	1	Nut M12*1,5	EMUG12	Wiska 60770	Rexel
KK1 100.5	1	Nut M20*1,5	EMUG20	Wiska 60772	Rexel
KK1 100.5	3	Nut M25*1,5	EMUG25	Wiska 60773	Rexel
KK1 100.5	1	Gland M12*1.5, IP68	ESKV12	Wiska 66410	Rexel
KK1 100.5	1	Gland M20*1.5, IP68	ESKV20	Wiska 66412	Rexel
KK1 100.5	3	Gland M25*1.5, IP68	ESKV25	Wiska 66413	Rexel
KK1 100.5	1	Text label 48x15mm, Label: white, Text: black, "KK1"	"KK1"	Ceelen	Ceelen

Parts list

Device tag Placement	Quantity	Designation	Type number	Manufacturer Part number	Supplier
100Q1.1-W1 100.5	1	Ölflex classic 110 4G2,5	ÖLFLEX CLASSIC 110	Lapp 1119404	van Egmond
100M1-W1 100.5	1	Olflex FD classic 810 4x2,5	ÖLFLEX FD CLASSIC 810	Lapp 0026171	van Egmond
X3 100.5;105.1...105.4	14	Feed-through terminal	ZDU 2.5	Weidmüller 1608510000	Rexel
100Q1.1 100.5	1	Work switch, 25A, black, 3P, IP65	P1-25/I2/SVB-SW	Moeller 207294	Rexel
100Q1.1 100.5	2	Nut M25*1,5	EMUG25	Wiska 60773	Rexel
100Q1.1 100.5	2	Gland M25*1.5, IP68	ESKV25	Wiska 66413	Rexel
100M1 100.5	1	Gland M25*1.5, IP68	ESKV25	Wiska 66413	Rexel
100M1 100.5	1	See mechanical part list			
X3 100.6;105.1;105.3	3	Earth terminal	ZPE 2.5	Weidmüller 1608640000	Rexel
105Q1.1-W1 105.1	1	Ölflex classic 110 4G2,5	ÖLFLEX CLASSIC 110	Lapp 1119404	van Egmond
105M1-W1 105.1	1	Ölflex classic 110 4G2,5	ÖLFLEX CLASSIC 110	Lapp 1119404	van Egmond
105Q1.1 105.1	1	Work switch, 25A, black, 3P, IP65	P1-25/I2/SVB-SW	Moeller 207294	Rexel
105Q1.1 105.1	2	Nut M25*1,5	EMUG25	Wiska 60773	Rexel
105Q1.1 105.1	2	Gland M25*1.5, IP68	ESKV25	Wiska 66413	Rexel
105M1 105.1;105.5	2	See mechanical part list			
105M1 105.1	1	Gland brass M25*1.5, IP68	M25x1,5 HSK-M-EMV	Hummel M25x1,5 HSK-M-EMV	van Egmond
105M1 105.1	1	Gland M25*1.5, IP68	ESKV25	Wiska 66413	Rexel
105M1 105.1	1	Gland brass M16*1.5, IP68	M16x1,5 HSK-M-EMV	Hummel M16x1,5 HSK-M-EMV	van Egmond

Parts list

Device tag Placement	Quantity	Designation	Type number	Manufacturer Part number	Supplier
105M1-W2 105.2	1	Ölfelx classic 110 5G1,0	ÖLFLEX CLASSIC 110	Lapp 1119 205	van Egmond
105M1-W3 105.3	1	Unitronic LIYCY 3x0,34	UNITRONIC LIYCY	Lapp 0034503	van Egmond
501U1 501.0	1	Exact12, 8-fold, 4-pole, M12	Exact12 8xM12 4-p	Murrelektronik 8000-88450-0000000	Murrelektronik
501.0	1	M12 Plastic lock screw	M12 Plastic lock screw	Murrelektronik 58627	Murrelektronik
501B1-W1 501.1	1	Prefab cable, 5 meter, connector M12 male + female, 4-pole	PVC-OB 4x0,34mm2	Murrelektronik 7000-40261-6140500	Murrelektronik
501B1 501.1	1	Inductieve proximity sensor	IME18-08BPSZC0K	Sick 1040965	Sick
501B2-W1 501.2	1	Prefab cable, 5 meter, connector M12 male + female, 4-pole	PVC-OB 4x0,34mm2	Murrelektronik 7000-40261-6140500	Murrelektronik
501B2 501.2	1	Inductieve proximity sensor	IME18-08BPSZC0K	Sick 1040965	Sick
501B3-W1 501.3	1	Prefab cable, 1 meter, connector M12 male + female, 4-pole	PVC-OB 4x0,34mm2	Murrelektronik 7000-40261-6140100	Murrelektronik
501B3 501.3	1	Inductieve proximity sensor	IME18-08BPSZC0K	Sick 1040965	Sick
501B4-W1 501.4	1	Prefab cable, 1 meter, connector M12 male + female, 4-pole	PVC-OB 4x0,34mm2	Murrelektronik 7000-40261-6140100	Murrelektronik
501B4 501.4	1	Inductieve proximity sensor	IME18-08BPSZC0K	Sick 1040965	Sick
501B5-W1 501.5	1	Prefab cable, 5 meter, connector M12 male + female, 4-pole	PUR-OB 4x0,34mm2	Murrelektronik 7000-40261-6240500	Murrelektronik
501B5 501.5	1	Reflex sensor	WL280-P430	Sick 6028286	Sick
501B6-W1 501.6	1	Prefab cable, 5 meter, connector M12 male + female, 4-pole	PUR-OB 4x0,34mm2	Murrelektronik 7000-40261-6240500	Murrelektronik
501B6 501.6	1	Magnetic cylinder sensor, connector connection	MZT1-03VPS-KQD	Sick 1029649	Sick
501Y7-W1 501.6	1	Prefabricated cable, 5 meter, connector for connecting spool valve	PUR-JZ 3x0,75mm2	Murrelektronik 7000-80061-6360500	Murrelektronik
501Y7-W1 501.6	1	Connector, male, 4-pole, right-angle	7000-12561-0000000	Murrelektronik 7000-12561-0000000	Murrelektronik

Parts list

Device tag Placement	Quantity	Designation	Type number	Manufacturer Part number	Supplier
501Y7 501.7	1	Rinse for pneumatic valve	CPE18-M1H-5J-1/4	Festo 163143	Festo
501Y8-W1 501.7	1	Prefabricated cable, 5 meter, connector for connecting spool valve	PUR-JZ 3x0,75mm2	Murrelektronic 7000-80061-6360500	Murrelektronic
501Y8-W1 501.7	1	Connector, male, 4-pole, right-angle	7000-12561-0000000	Murrelektronic 7000-12561-0000000	Murrelektronic
501Y8 501.8	1	Rinse for pneumatic valve	CPE18-M1H-5J-1/4	Festo 163143	Festo

Summarized parts list

Manufacturer	Type number	Order number	Supplier	Discription	Quantity	Spare	Unit price	Total price
				See mechanical part list	3	0	0,00	0,00

Summarized parts list

Manufacturer	Type number	Order number	Supplier	Description	Quantity	Spare	Unit price	Total price
Ceelen	"KK1"		Ceelen	Text label 48x15mm, Label: white, Text: black, "KK1"	1	0	0,00	0,00
Ceelen	"KK10"		Ceelen	Text label 48x15mm, Label: white, Text: black, "KK10"	1	0	0,00	0,00

Summarized parts list

Manufacturer	Type number	Order number	Supplier	Discription	Quantity	Spare	Unit price	Total price
Festo	CPE18-M1H-5J-1/4	163143	Festo	Rinse for pneumatic valve	2	0	0,00	0,00

Summarized parts list

Manufacturer	Type number	Order number	Supplier	Description	Quantity	Spare	Unit price	Total price
Hummel	M25x1,5 HSK-M-EMV	M25x1,5 HSK-M-EMV	van Egmond	Gland brass M25*1.5, IP68	1	0	0,00	0,00
Hummel	M16x1,5 HSK-M-EMV	M16x1,5 HSK-M-EMV	van Egmond	Gland brass M16*1.5, IP68	1	0	0,00	0,00

Summarized parts list

Manufacturer	Type number	Order number	Supplier	Description	Quantity	Spare	Unit price	Total price
Interroll	EC310	EC310	Interroll	DC motor	1	1	0,00	0,00
Interroll	DC20		Interroll	Drive control	1	1	0,00	0,00

Summarized parts list

Manufacturer	Type number	Order number	Supplier	Description	Quantity	Spare	Unit price	Total price
Lapp	ÖLFLEX FD CLASSIC 810	0026171	van Egmond	Ölflex FD classic 810 4x2,5	1	0	0,00	0,00
Lapp	ÖLFLEX CLASSIC 110	1119404	van Egmond	Ölflex classic 110 4G2,5	3	0	0,00	0,00
Lapp	ÖLFLEX CLASSIC 110	1119 205	van Egmond	Ölfelx classic 110 5G1,0	1	0	0,00	0,00
Lapp	UNITRONIC LIYCY	0034503	van Egmond	Unitronic LIYCY 3x0,34	1	0	0,00	0,00

Summarized parts list

Manufacturer	Type number	Order number	Supplier	Description	Quantity	Spare	Unit price	Total price
Moeller	P1-25/I2/SVB-SW	207294	Rexel	Work switch, 25A, black, 3P, IP65	2	1	0,00	0,00

Summarized parts list

Manufacturer	Type number	Order number	Supplier	Description	Quantity	Spare	Unit price	Total price
Murrelektronik	M12 Plastic lock screw	58627	Murrelektronik	M12 Plastic lock screw	1	0	0,00	0,00
Murrelektronik	PVC-OB 4x0,34mm2	7000-40261-6140500	Murrelektronik	Prefab cable, 5 meter, connector M12 male + female, 4-pole	2	1	0,00	0,00
Murrelektronik	PVC-OB 4x0,34mm2	7000-40261-6140100	Murrelektronik	Prefab cable, 1 meter, connector M12 male + female, 4-pole	2	1	0,00	0,00
Murrelektronik	PUR-OB 4x0,34mm2	7000-40261-6240500	Murrelektronik	Prefab cable, 5 meter, connector M12 male + female, 4-pole	2	1	0,00	0,00
Murrelektronik	Exact12 8xM12 4-p	8000-88450-0000000	Murrelektronik	Exact12, 8-fold, 4-pole, M12	1	1	0,00	0,00
Murrelektronik	PUR-JZ 3x0,75mm2	7000-80061-6360500	Murrelektronik	Prefabricated cable, 5 meter, connector for connecting spool valve	2	1	0,00	0,00
Murrelektronik	7000-12561-0000000	7000-12561-0000000	Murrelektronik	Connector, male, 4-pole, right-angle	2	1	0,00	0,00

Summarized parts list

Manufacturer	Type number	Order number	Supplier	Description	Quantity	Spare	Unit price	Total price
Schmersal	AZ16-02ZVK-M16	1154699	Schmersal	Safety switch 2x NC, IP67	1	1	0,00	0,00
Schmersal	AZ15/16-B1	1083036	Schmersal	Operation key for use with AZ16	1	1	0,00	0,00

Summarized parts list

Manufacturer	Type number	Order number	Supplier	Description	Quantity	Spare	Unit price	Total price
Sick	IME18-08BPSZC0K	1040965	Sick	Inductieve proximity sensor	4	1	0,00	0,00
Sick	WL280-P430	6028286	Sick	Reflex sensor	1	1	0,00	0,00
Sick	MZT1-03VPS-KQD	1029649	Sick	Magnetic cylinder sensor, connector connection	1	1	0,00	0,00

Summarized parts list

Manufacturer	Type number	Order number	Supplier	Description	Quantity	Spare	Unit price	Total price
Télémecanique	SA85012	SA85012	Rexel	Synthetic industrial box	1	0	0,00	0,00
Télémecanique	SA85008	SA85008	Rexel	Synthetic industrial box	1	0	0,00	0,00

Summarized parts list

Manufacturer	Type number	Order number	Supplier	Description	Quantity	Spare	Unit price	Total price
Weidmüller	ZDU 2.5	1608510000	Rexel	Feed-through terminal	14	0	0,00	0,00
Weidmüller	ZPE 2.5	1608640000	Rexel	Earth terminal	3	0	0,00	0,00

Summarized parts list

Manufacturer	Type number	Order number	Supplier	Description	Quantity	Spare	Unit price	Total price
Wiska	EMUG12	60770	Rexel	Nut M12*1,5	1	0	0,00	0,00
Wiska	EMUG20	60772	Rexel	Nut M20*1,5	2	0	0,00	0,00
Wiska	EMUG25	60773	Rexel	Nut M25*1,5	7	0	0,00	0,00
Wiska	ESKV12	66410	Rexel	Gland M12*1.5, IP68	1	0	0,00	0,00
Wiska	ESKV20	66412	Rexel	Gland M20*1.5, IP68	2	0	0,00	0,00
Wiska	ESKV25	66413	Rexel	Gland M25*1.5, IP68	9	0	0,00	0,00
Wiska	EMUG16	60771	Rexel	Nut M16*1,5	1	0	0,00	0,00
Wiska	ESKV16	66411	Rexel	Gland M16*1.5, IP68	1	0	0,00	0,00