

NEDPACK®

Nobelstraat 43
3846 CE Harderwijk
The Netherlands

Phone: +31 341 - 436700
Fax: +31 341 - 436701
www.nedpack.com
info@nedpack.com

Ordernumber:	ORDERNUMMER	Customer:	NEDPACK
Project description:	Prorunner Mk5	City:	HARDERWIJK
Customer attribute:	Tekening nummer / lijn nummer	Country:	The Netherlands
Serial number:	Serienummer		

Special feature:	-
Power supply:	3~400V - 50Hz NPE
Control voltage:	24VDC
According to:	NEN-EN-IEC 60204-1: 2006

Project start:	21-2-2012
Project end:	
Last time edited:	4-4-2012
Number of pages:	29

Table of contents

Page	Page description	Supplementary page field	Date	Revision date	Edited by
1	Title page / cover sheet		4-4-2012	4-4-2012	DSP
2	Table of contents		4-4-2012	4-4-2012	DSP
15.1	Layout Prorunner Mk5		25-11-2009	23-3-2012	DSP
15.2	Layout safety Prorunner Mk5		25-11-2009	23-3-2012	DSP
100	Infeed engine		25-11-2009	24-3-2012	DSP
105	Prorunner Mk5 engine		25-11-2009	24-3-2012	DSP
110	Outfeed engine		25-11-2009	24-3-2012	DSP
501	Inputs I8 - I15		25-11-2009	4-4-2012	DSP
1200	Clamping strips + color overview		25-11-2009	24-3-2012	DSP
1250	Layout text labels		25-11-2009	24-3-2012	DSP
1601	Layout KK1		11-5-2011	23-3-2012	DSP
1610	Layout KK10		22-7-2010	23-3-2012	DSP
1615	Layout KK15		22-7-2010	23-3-2012	DSP
2000	Parts list : SCH.AZ16-02ZVK-M16 - CEE.Resopal plaatje "KK1"		4-4-2012	4-4-2012	DSP
2001	Parts list : LAPP.1119 404 (4G2,5) - EGM.M16x1,5 HSK-M-EMV		4-4-2012	4-4-2012	DSP
2002	Parts list : LAPP.1119 205 (5G1,0) - MURR. Exact12 8xM12 4-p		4-4-2012	4-4-2012	DSP
2003	Parts list : MURR. M12 Plastic lock screw - SICK.WL280-P430		4-4-2012	4-4-2012	DSP
2100	Summarized parts list : NEDP.Aandrijving - NEDP.Aandrijving		4-4-2012	4-4-2012	DSP
2101	Summarized parts list : CEE.Resopal plaatje "KK1" - CEE.Resopal plaatje "KK15"		4-4-2012	4-4-2012	DSP
2102	Summarized parts list : EGM.M25x1,5 HSK-M-EMV - EGM.M16x1,5 HSK-M-EMV		4-4-2012	4-4-2012	DSP
2103	Summarized parts list : INT.EC310 - Inter.DC20		4-4-2012	4-4-2012	DSP
2104	Summarized parts list : LAPP.1119 404 (4G2,5) - LAPP.0034503 (LIYCY 3x0,34)		4-4-2012	4-4-2012	DSP
2105	Summarized parts list : MOE.P1-25/I2/SVB-SW - MOE.P1-25/I2/SVB-SW		4-4-2012	4-4-2012	DSP
2106	Summarized parts list : MURR. M12 Plastic lock screw - MURR. Exact12 8xM12 4-p		4-4-2012	4-4-2012	DSP
2107	Summarized parts list : SCH.AZ16-02ZVK-M16 - SCH.AZ15/16-B1		4-4-2012	4-4-2012	DSP
2108	Summarized parts list : SICK.IME18-08BPSZC0K - SICK.WL280-P430		4-4-2012	4-4-2012	DSP
2109	Summarized parts list : TEL.SA85012 - TEL.SA85008		4-4-2012	4-4-2012	DSP
2110	Summarized parts list : WEI.1608510000 (ZDU2.5) - WEI.1608640000 (ZPE 2.5)		4-4-2012	4-4-2012	DSP
2111	Summarized parts list : WIS.EMUG12 - WIS.ESKV16		4-4-2012	4-4-2012	DSP

LEGEND:


M1 =100M1 ROLLER - BELTCONVEYOR INFEED
M2 =105M1 PRORUNNER Mk5
M3 =110M1 ROLLER - BELTCONVEYOR OUTFEED

501B3 PRODUCT INTAKT
501B4 FINGER PROTECTION
501B6 PRODUKT INFEEDED
501B7 OUTFEED POSITION DIAGONAL FULL
501B8 OUTFEED POSITION FULL STRAIGHT

501U1 CONNECTION UNIT

LEGEND:

S1 DOOR SWITCH GROUND FLOOR
 S2 DOOR SWITCH ABOVE

15.1  AZ16-02ZVK-M16
 AZ15/16-B1

100

NEDPACK[®]

Customer

NEDPACK
 HARDERWIJK
 The Netherlands

Type

Prorunner Mk5

Customer attribute

Tekening nummer / lijn nummer

Ordernumber

ORDERNUMMER

Serial number

Serienummer

Description

Layout safety Prorunner Mk5

Date

23-3-2012

Ed.

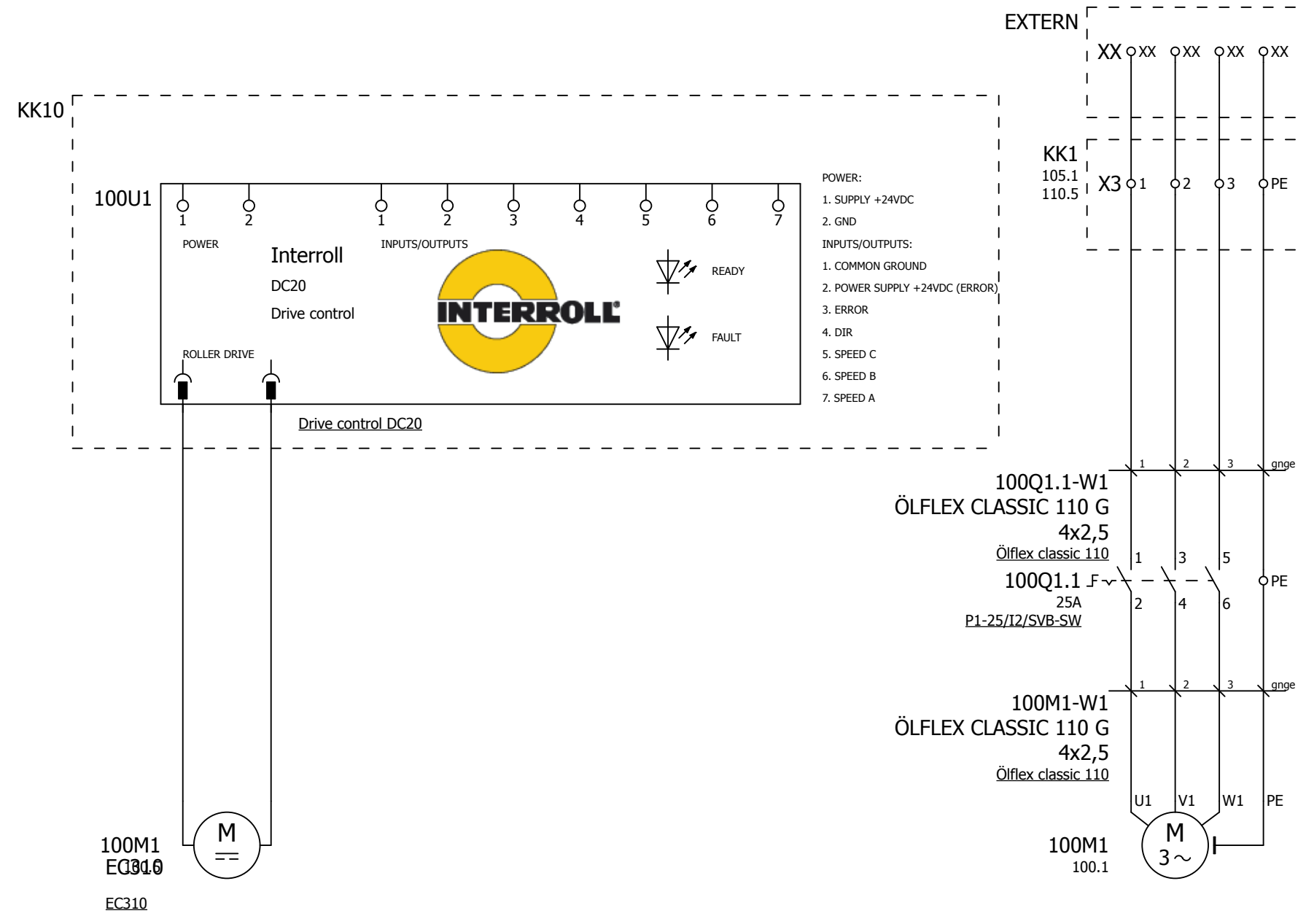
DSP

=

+

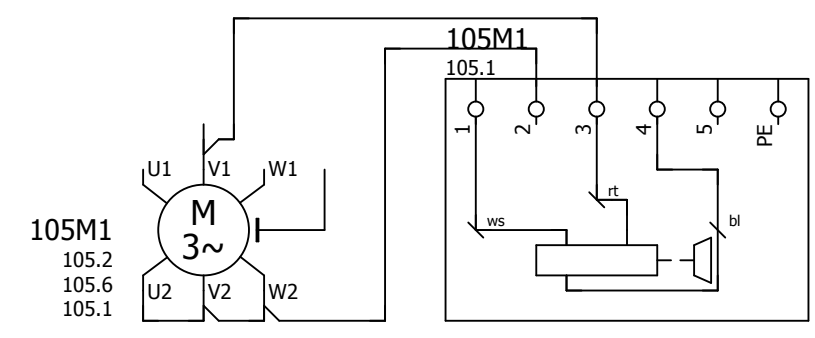
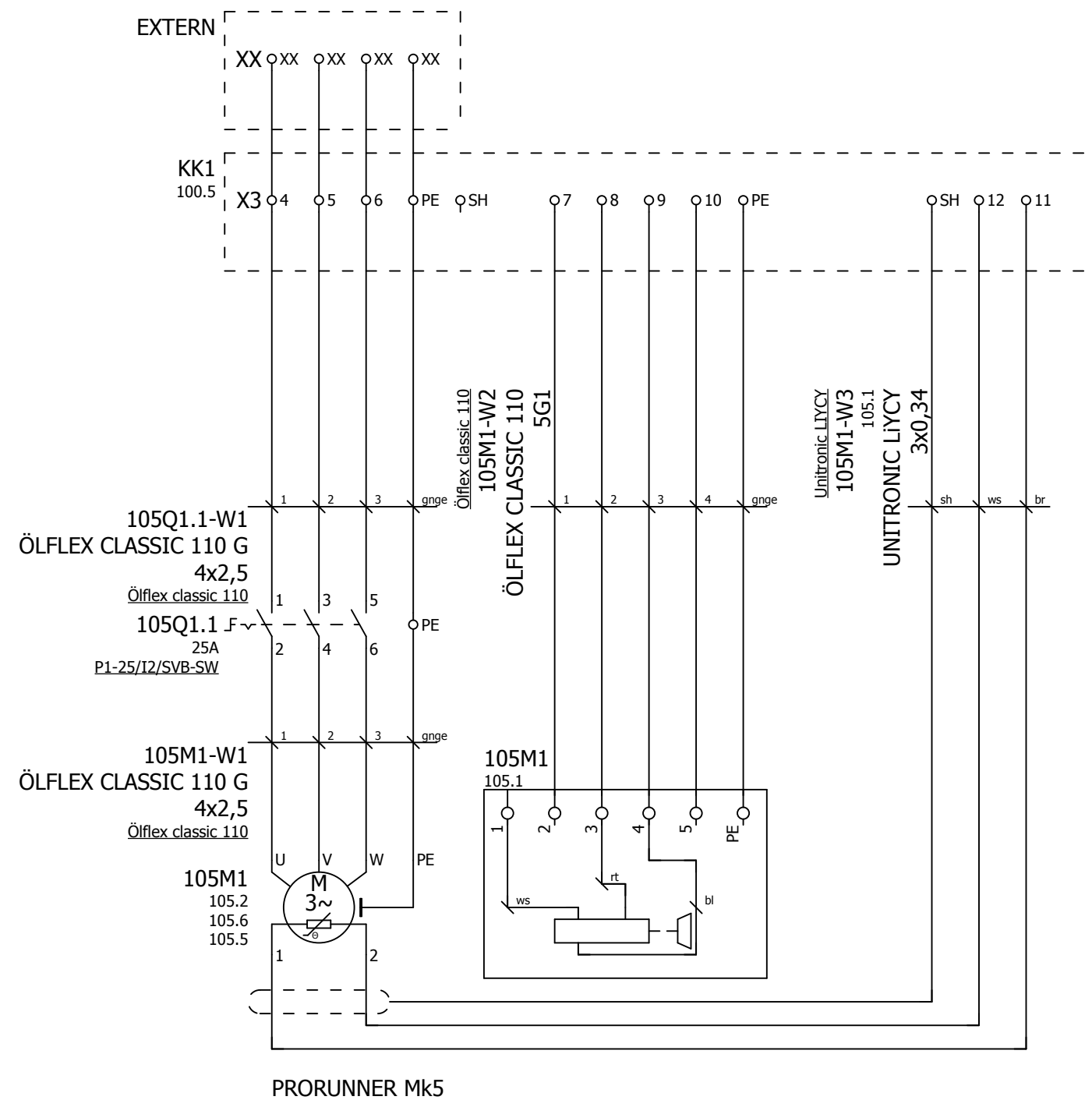
Page

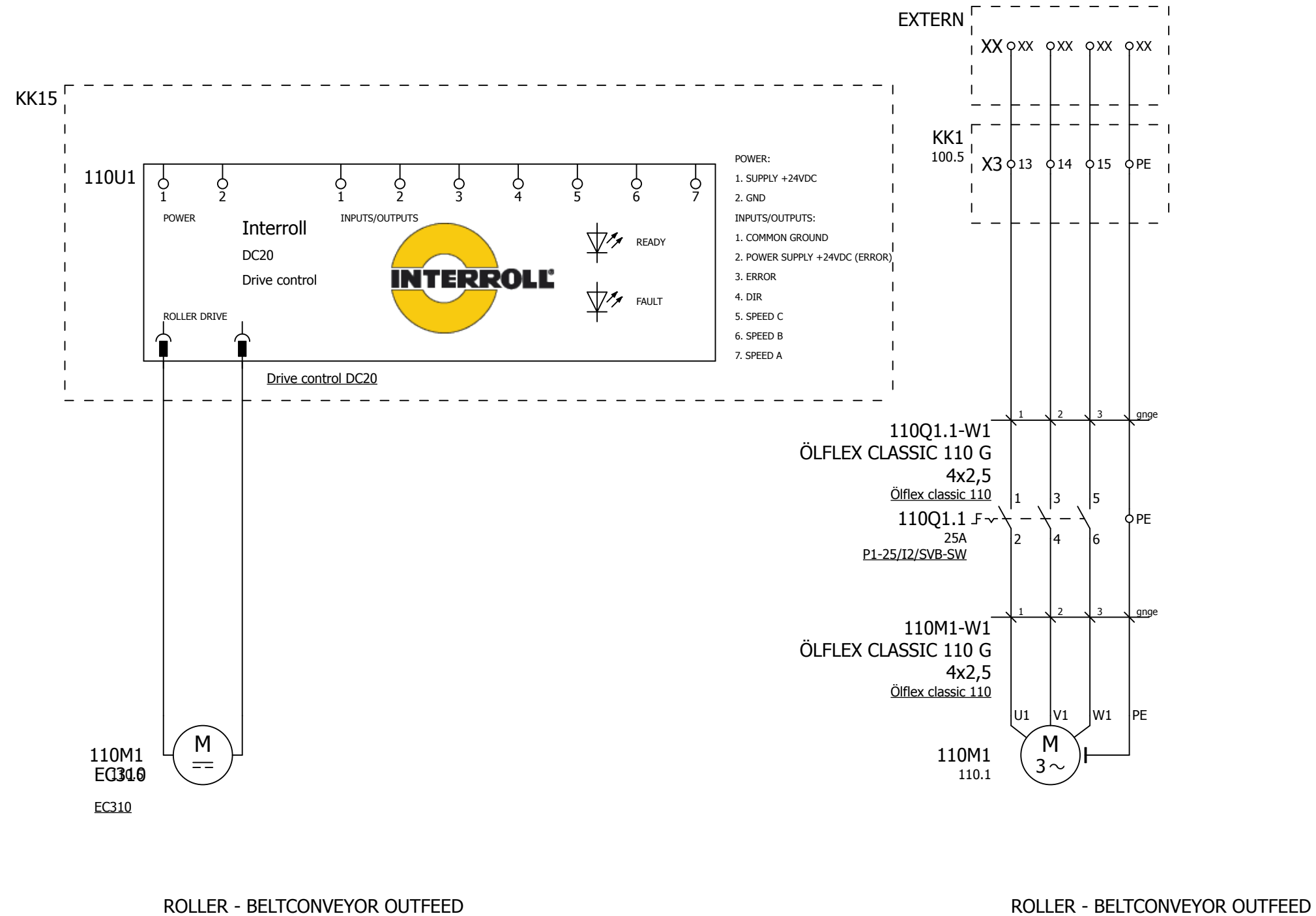
15.2

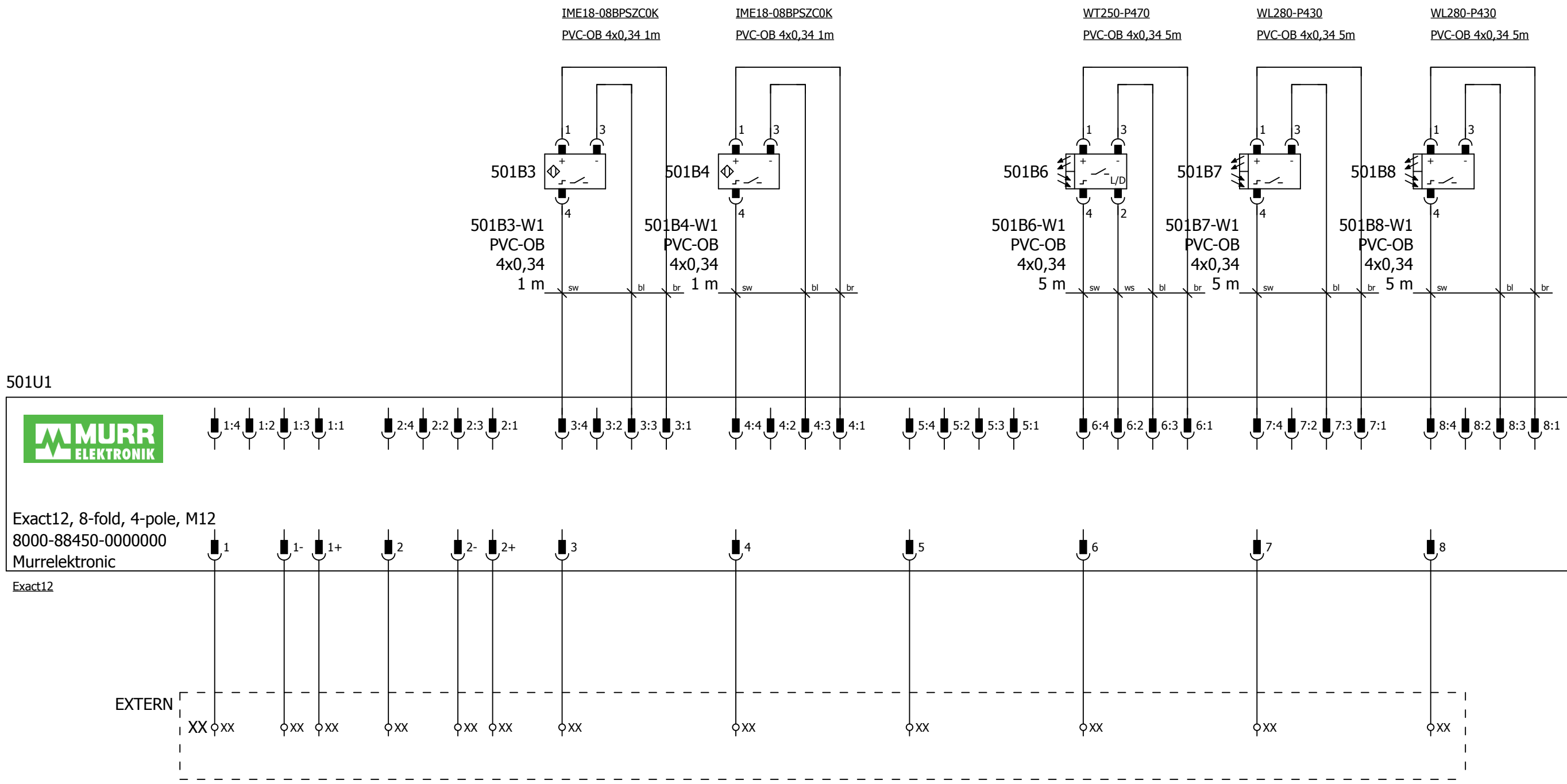


ROLLER - BELTCONVEYOR INFEED


ROLLER - BELTCONVEYOR INFEED







LET OP: wanneer de lift hoger is dan 4.5meter dan de kabels van 501B3 en 501B4 2m uitvoeren.

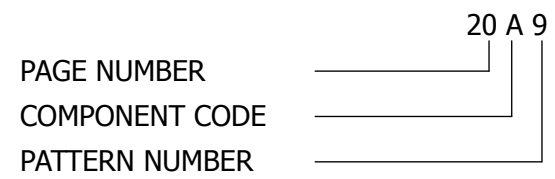
 Plastic lock screw
Plastic lock screw: required to achieve IP67

SPARE SPARE PRODUCT INTAKT FINGER PROTECTION SPARE PRODUKT INFEEDED OUTFEED POSITION DIAGONAL FULL OUTFEED POSITION FULL STRAIGHT

CABLE COLOR CODING ACCORDING DIN 47100

1	WHITE	WS
2	BROWN	BR
3	GREEN	GN
4	YELLOW	GE
5	GREY	GR
6	PINK	RS
7	BLUE	BU
8	RED	RT
9	BLACK	SW
10	VIOLET	VI
11	GREY/PINK	GRRS
12	RED/BLUE	RTBL
13	WHITE/GREEN	WSGN
14	BROWN/GREEN	BRGN
15	WHITE/YELLOW	WSGE
16	YELLOW/BROWN	GEBR
17	WHITE/GREY	WSGR
18	GREY/BROWN	GRBR
19	WHITE/PINK	WSRS
20	PINK/BROWN	RSBR

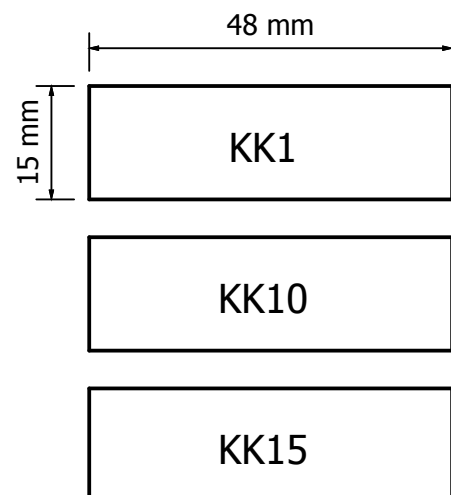
COMPONENT ENCODING



CORE END ACCORDING TO DIN STANDARDISATION

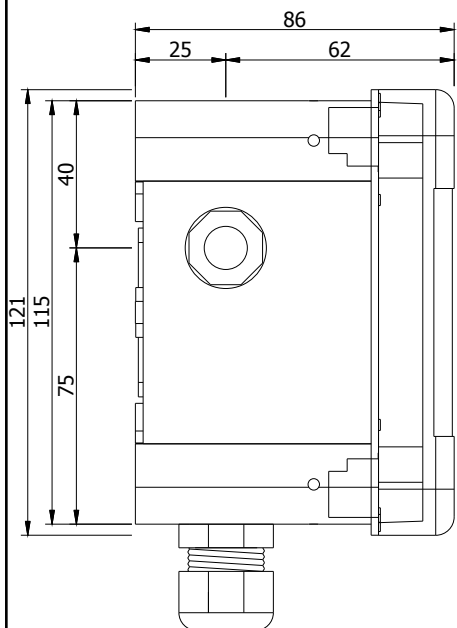
0,34mm ²	LIGHT BLUE
0,5mm ²	WHITE
0,75mm ²	GREY
1mm ²	RED
1,5mm ²	BLACK
2,5mm ²	BLUE
4mm ²	GREY
6mm ²	YELLOW
10mm ²	RED
16mm ²	BLUE

COLOR: WHITE, LETTER: BLACK

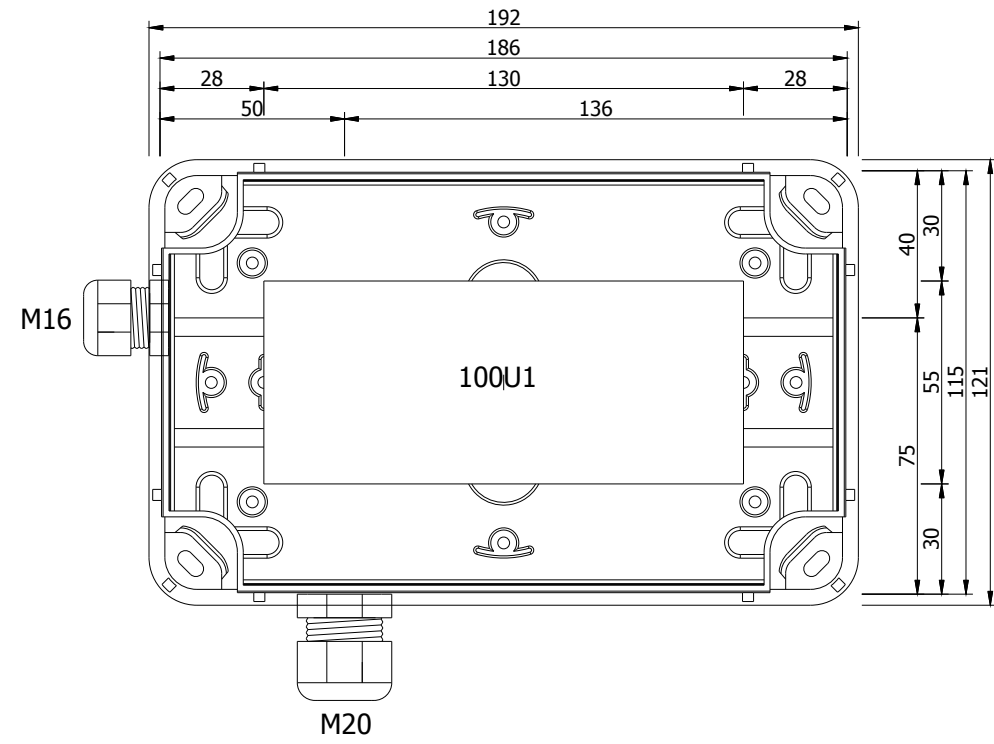


TEXT LABELS:
 MATERIAL: LAMINATED PLASTIC P.P.A.1,25mm THICK
 LETTER TYPE: 100-20% DIN 1451, HIGHT 4mm
 FASTENING: ADHESIVE

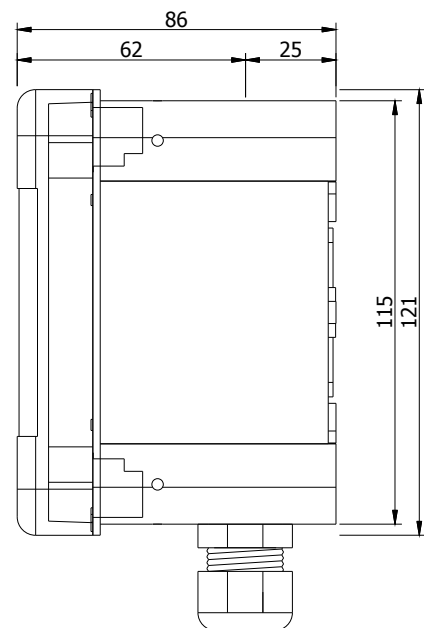
NEDPACK [®]	Customer NEDPACK HARDERWIJK The Netherlands	Type Prorunner Mk5	Ordernumber ORDERNUMMER	Description Layout text labels	Date 24-3-2012	=
		Customer attribute Tekening nummer / lijn nummer	Serial number Serienummer		Ed. DSP	+
					Page	1250



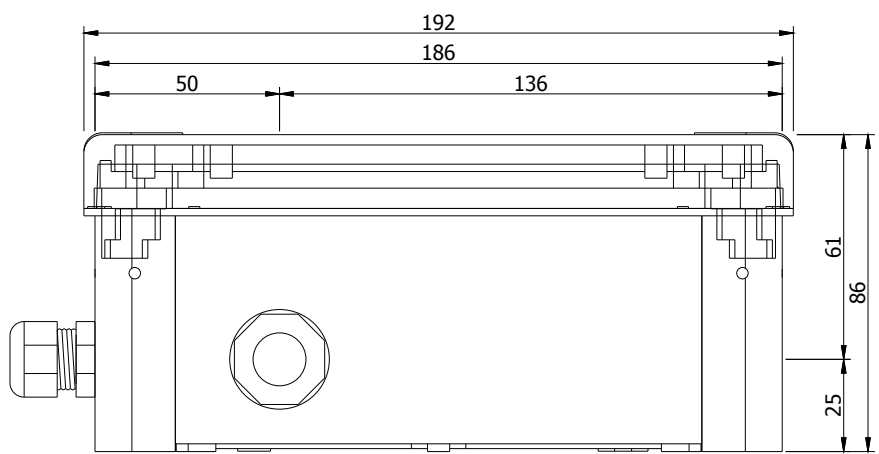
LEFT SIDE VIEW



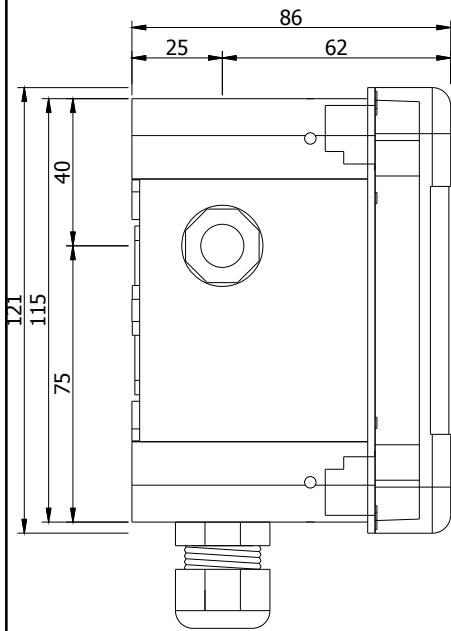
FRONT VIEW



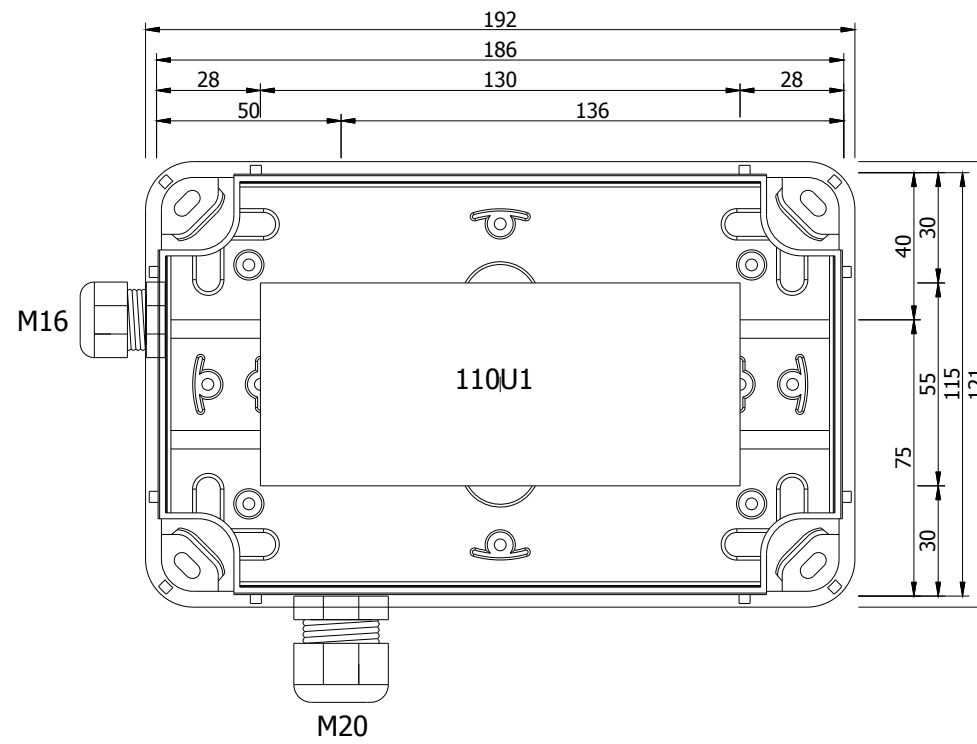
RIGHT SIDE VIEW



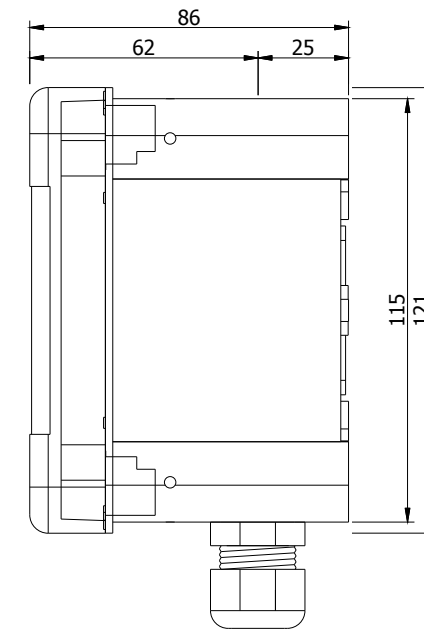
BOTTOM VIEW



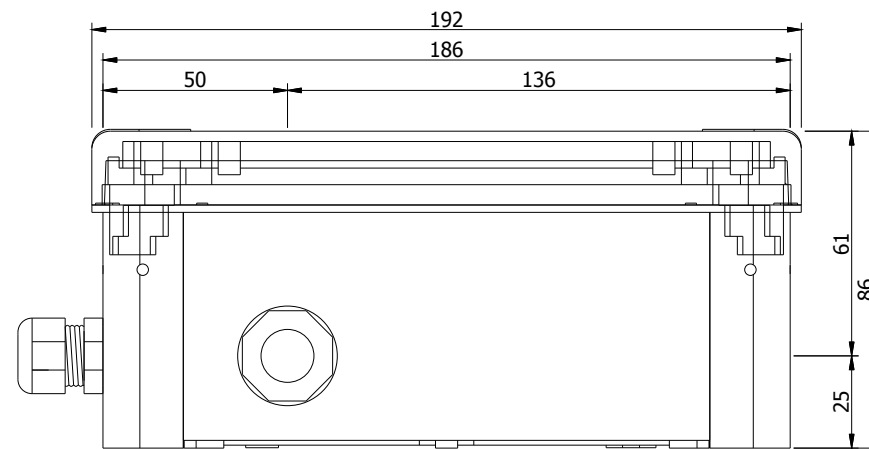
LEFT SIDE VIEW



FRONT VIEW



RIGHT SIDE VIEW



BOTTOM VIEW

Parts list

Device tag Placement	Quantity	Designation	Type number	Manufacturer Part number	Supplier
15.2.0	1	Safety switch 2x NC, IP67	AZ16-02ZVK-M16	Schmersal 1154699	Schmersal
15.2.0	1	Operation key for use with AZ16	AZ15/16-B1	Schmersal 1083036	Schmersal
KK10 100.0	1	Synthetic industrial box	SA85008	Télémecanique SA85008	Rexel
KK10 100.0	1	Nut M20*1,5	EMUG20	Wiska 60772	Rexel
KK10 100.0	1	Nut M16*1,5	EMUG16	Wiska 60771	Rexel
KK10 100.0	1	Gland M20*1.5, IP68	ESKV20	Wiska 66412	Rexel
KK10 100.0	1	Gland M16*1.5, IP68	ESKV16	Wiska 66411	Rexel
KK10 100.0	1	Text label 48x15mm, Label: white, Text: black, "KK10"	"KK10"	Ceelen	Ceelen
100U1 100.1	1	Drive control	DC20	Interroll	Interroll
100M1 100.1	1	DC motor	EC310	Interroll EC310	Interroll
KK1 100.5	1	Synthetic industrial box	SA85012	Télémecanique SA85012	Rexel
KK1 100.5	1	Nut M12*1,5	EMUG12	Wiska 60770	Rexel
KK1 100.5	1	Nut M20*1,5	EMUG20	Wiska 60772	Rexel
KK1 100.5	3	Nut M25*1,5	EMUG25	Wiska 60773	Rexel
KK1 100.5	1	Gland M12*1.5, IP68	ESKV12	Wiska 66410	Rexel
KK1 100.5	1	Gland M20*1.5, IP68	ESKV20	Wiska 66412	Rexel
KK1 100.5	3	Gland M25*1.5, IP68	ESKV25	Wiska 66413	Rexel
KK1 100.5	1	Text label 48x15mm, Label: white, Text: black, "KK1"	"KK1"	Ceelen	Ceelen

Parts list

Device tag Placement	Quantity	Designation	Type number	Manufacturer Part number	Supplier
100Q1.1-W1 100.5	1	Ölflex classic 110 4G2,5	ÖLFLEX CLASSIC 110	Lapp 1119404	van Egmond
100M1-W1 100.5	1	Ölflex classic 110 4G2,5	ÖLFLEX CLASSIC 110	Lapp 1119404	van Egmond
X3 100.5;105.1...105.4;110.5	17	Feed-through terminal	ZDU 2.5	Weidmüller 1608510000	Rexel
100Q1.1 100.5	1	Work switch, 25A, black, 3P, IP65	P1-25/I2/SVB-SW	Moeller 207294	Rexel
100Q1.1 100.5	2	Nut M25*1,5	EMUG25	Wiska 60773	Rexel
100Q1.1 100.5	2	Gland M25*1.5, IP68	ESKV25	Wiska 66413	Rexel
100M1 100.5	1	Gland M25*1.5, IP68	ESKV25	Wiska 66413	Rexel
100M1 100.5	1	See mechanical part list			
X3 100.6;105.1;105.3;110.6	4	Earth terminal	ZPE 2.5	Weidmüller 1608640000	Rexel
105Q1.1-W1 105.1	1	Ölflex classic 110 4G2,5	ÖLFLEX CLASSIC 110	Lapp 1119404	van Egmond
105M1-W1 105.1	1	Ölflex classic 110 4G2,5	ÖLFLEX CLASSIC 110	Lapp 1119404	van Egmond
105Q1.1 105.1	1	Work switch, 25A, black, 3P, IP65	P1-25/I2/SVB-SW	Moeller 207294	Rexel
105Q1.1 105.1	2	Nut M25*1,5	EMUG25	Wiska 60773	Rexel
105Q1.1 105.1	2	Gland M25*1.5, IP68	ESKV25	Wiska 66413	Rexel
105M1 105.1;105.5	2	See mechanical part list			
105M1 105.1	1	Gland brass M25*1.5, IP68	M25x1,5 HSK-M-EMV	Hummel M25x1,5 HSK-M-EMV	van Egmond
105M1 105.1	1	Gland M25*1.5, IP68	ESKV25	Wiska 66413	Rexel
105M1 105.1	1	Gland brass M16*1.5, IP68	M16x1,5 HSK-M-EMV	Hummel M16x1,5 HSK-M-EMV	van Egmond

Parts list

Device tag Placement	Quantity	Designation	Type number	Manufacturer Part number	Supplier
105M1-W2 105.2	1	Ölflex classic 110 5G1,0	ÖLFLEX CLASSIC 110	Lapp 1119 205	van Egmond
105M1-W3 105.3	1	Unitronic LIYCY 3x0,34	UNITRONIC LIYCY	Lapp 0034503	van Egmond
KK15 110.0	1	Synthetic industrial box	SA85008	Télémecanique SA85008	Rexel
KK15 110.0	1	Nut M20*1,5	EMUG20	Wiska 60772	Rexel
KK15 110.0	1	Nut M16*1,5	EMUG16	Wiska 60771	Rexel
KK15 110.0	1	Gland M20*1.5, IP68	ESKV20	Wiska 66412	Rexel
KK15 110.0	1	Gland M16*1.5, IP68	ESKV16	Wiska 66411	Rexel
KK15 110.0	1	Text label 48x15mm, Label: white, Text: black, "KK15"	"KK15"	Ceelen	Ceelen
110U1 110.1	1	Drive control	DC20	Interroll	Interroll
110M1 110.1	1	DC motor	EC310	Interroll EC310	Interroll
110Q1.1-W1 110.5	1	Ölflex classic 110 4G2,5	ÖLFLEX CLASSIC 110	Lapp 1119404	van Egmond
110M1-W1 110.5	1	Ölflex classic 110 4G2,5	ÖLFLEX CLASSIC 110	Lapp 1119404	van Egmond
110Q1.1 110.5	1	Work switch, 25A, black, 3P., IP65	P1-25/I2/SVB-SW	Moeller 207294	Rexel
110Q1.1 110.5	2	Nut M25*1,5	EMUG25	Wiska 60773	Rexel
110Q1.1 110.5	2	Gland M25*1.5, IP68	ESKV25	Wiska 66413	Rexel
110M1 110.5	1	Gland M25*1.5, IP68	ESKV25	Wiska 66413	Rexel
110M1 110.5	1	See mechanical part list			
501U1 501.0	1	Exact12, 8-fold, 4-pole, M12	Exact12 8xM12 4-p	Murrelektronik 8000-88450-0000000	Murrelektronik

Parts list

Device tag Placement	Quantity	Designation	Type number	Manufacturer Part number	Supplier
501.0	1	M12 Plastic lock screw	M12 Plastic lock screw	Murrelektronik 58627	Murrelektronik
501B3-W1 501.3	1	Prefab cable, 1 meter, connector M12 male + female, 4-pole	PVC-OB 4x0,34mm2	Murrelektronik 7000-40261-6140100	Murrelektronik
501B3 501.3	1	Inductieve proximity sensor	IME18-08BPSZC0K	Sick 1040965	Sick
501B4-W1 501.4	1	Prefab cable, 1 meter, connector M12 male + female, 4-pole	PVC-OB 4x0,34mm2	Murrelektronik 7000-40261-6140100	Murrelektronik
501B4 501.4	1	Inductieve proximity sensor	IME18-08BPSZC0K	Sick 1040965	Sick
501B6-W1 501.6	1	Prefab cable, 5 meter, connector M12 male + female, 4-pole	PVC-OB 4x0,34mm2	Murrelektronik 7000-40261-6140500	Murrelektronik
501B6 501.6	1	Proximity sensor	WT250-P470	Sick 6012649	Sick
501B7-W1 501.6	1	Prefab cable, 5 meter, connector M12 male + female, 4-pole	PVC-OB 4x0,34mm2	Murrelektronik 7000-40261-6140500	Murrelektronik
501B7 501.7	1	Reflex sensor	WL280-P430	Sick 6028286	Sick
501B8-W1 501.7	1	Prefab cable, 5 meter, connector M12 male + female, 4-pole	PVC-OB 4x0,34mm2	Murrelektronik 7000-40261-6140500	Murrelektronik
501B8 501.8	1	Reflex sensor	WL280-P430	Sick 6028286	Sick

Summarized parts list

Manufacturer	Type number	Order number	Supplier	Discription	Quantity	Spare	Unit price	Total price
				See mechanical part list	4	0	0,00	0,00

Summarized parts list

Manufacturer	Type number	Order number	Supplier	Description	Quantity	Spare	Unit price	Total price
Ceelen	"KK1"		Ceelen	Text label 48x15mm, Label: white, Text: black, "KK1"	1	0	0,00	0,00
Ceelen	"KK10"		Ceelen	Text label 48x15mm, Label: white, Text: black, "KK10"	1	0	0,00	0,00
Ceelen	"KK15"		Ceelen	Text label 48x15mm, Label: white, Text: black, "KK15"	1	0	0,00	0,00

Summarized parts list

Manufacturer	Type number	Order number	Supplier	Description	Quantity	Spare	Unit price	Total price
Hummel	M25x1,5 HSK-M-EMV	M25x1,5 HSK-M-EMV	van Egmond	Gland brass M25*1.5, IP68	1	0	0,00	0,00
Hummel	M16x1,5 HSK-M-EMV	M16x1,5 HSK-M-EMV	van Egmond	Gland brass M16*1.5, IP68	1	0	0,00	0,00

Summarized parts list

Manufacturer	Type number	Order number	Supplier	Description	Quantity	Spare	Unit price	Total price
Interroll	EC310	EC310	Interroll	DC motor	2	1	0,00	0,00
Interroll	DC20		Interroll	Drive control	2	1	0,00	0,00

Summarized parts list

Manufacturer	Type number	Order number	Supplier	Description	Quantity	Spare	Unit price	Total price
Lapp	ÖLFLEX CLASSIC 110	1119404	van Egmond	Ölflex classic 110 4G2,5	6	0	0,00	0,00
Lapp	ÖLFLEX CLASSIC 110	1119 205	van Egmond	Ölfelx classic 110 5G1,0	1	0	0,00	0,00
Lapp	UNITRONIC LIYCY	0034503	van Egmond	Unitronic LIYCY 3x0,34	1	0	0,00	0,00

Summarized parts list

Manufacturer	Type number	Order number	Supplier	Description	Quantity	Spare	Unit price	Total price
Moeller	P1-25/I2/SVB-SW	207294	Rexel	Work switch, 25A, black, 3P, IP65	3	1	0,00	0,00

Summarized parts list

Manufacturer	Type number	Order number	Supplier	Description	Quantity	Spare	Unit price	Total price
Murrelektronik	M12 Plastic lock screw	58627	Murrelektronik	M12 Plastic lock screw	1	0	0,00	0,00
Murrelektronik	PVC-OB 4x0,34mm2	7000-40261-6140100	Murrelektronik	Prefab cable, 1 meter, connector M12 male + female, 4-pole	2	1	0,00	0,00
Murrelektronik	PVC-OB 4x0,34mm2	7000-40261-6140500	Murrelektronik	Prefab cable, 5 meter, connector M12 male + female, 4-pole	3	1	0,00	0,00
Murrelektronik	Exact12 8xM12 4-p	8000-88450-0000000	Murrelektronik	Exact12, 8-fold, 4-pole, M12	1	1	0,00	0,00

Summarized parts list

Manufacturer	Type number	Order number	Supplier	Description	Quantity	Spare	Unit price	Total price
Schmersal	AZ16-02ZVK-M16	1154699	Schmersal	Safety switch 2x NC, IP67	1	1	0,00	0,00
Schmersal	AZ15/16-B1	1083036	Schmersal	Operation key for use with AZ16	1	1	0,00	0,00

Summarized parts list

Manufacturer	Type number	Order number	Supplier	Description	Quantity	Spare	Unit price	Total price
Sick	IME18-08BPSZC0K	1040965	Sick	Inductieve proximity sensor	2	1	0,00	0,00
Sick	WT250-P470	6012649	Sick	Proximity sensor	1	1	0,00	0,00
Sick	WL280-P430	6028286	Sick	Reflex sensor	2	1	0,00	0,00

Summarized parts list

Manufacturer	Type number	Order number	Supplier	Description	Quantity	Spare	Unit price	Total price
Télemecanique	SA85012	SA85012	Rexel	Synthetic industrial box	1	0	0,00	0,00
Télemecanique	SA85008	SA85008	Rexel	Synthetic industrial box	2	0	0,00	0,00

Summarized parts list

Manufacturer	Type number	Order number	Supplier	Description	Quantity	Spare	Unit price	Total price
Weidmüller	ZDU 2.5	1608510000	Rexel	Feed-through terminal	17	0	0,00	0,00
Weidmüller	ZPE 2.5	1608640000	Rexel	Earth terminal	4	0	0,00	0,00

Summarized parts list

Manufacturer	Type number	Order number	Supplier	Description	Quantity	Spare	Unit price	Total price
Wiska	EMUG12	60770	Rexel	Nut M12*1,5	1	0	0,00	0,00
Wiska	EMUG20	60772	Rexel	Nut M20*1,5	3	0	0,00	0,00
Wiska	EMUG25	60773	Rexel	Nut M25*1,5	9	0	0,00	0,00
Wiska	ESKV12	66410	Rexel	Gland M12*1.5, IP68	1	0	0,00	0,00
Wiska	ESKV20	66412	Rexel	Gland M20*1.5, IP68	3	0	0,00	0,00
Wiska	ESKV25	66413	Rexel	Gland M25*1.5, IP68	12	0	0,00	0,00
Wiska	EMUG16	60771	Rexel	Nut M16*1,5	2	0	0,00	0,00
Wiska	ESKV16	66411	Rexel	Gland M16*1.5, IP68	2	0	0,00	0,00